

# SO-LOW

## SO-LOW UPRIGHT FREEZER TO -85°C MODEL U85-13

**13 Cubic Ft. (370 liters) Upright – Temperature Range: -40°C to -85°C**  
**Upright Freezer**

### ***Specifications:***

* Capacity	13 cubic ft. / 370 liters
* Temperature Range	-40°C to -85°C
* Dimensions	
* Exterior W x D x H	35" x 34.5" x 79.5" 88 x 87 x 201 (cm)
* Interior W x D x H	20" x 22" x 51.25" 50 x 55 x 130 (cm)

### **TEMPERATURE CONTROL**

Microprocessor control displays set point and chamber temperature.

### **ALARM SYSTEM WITH RELAY**

The battery operated alarm system will emit an audible and visual signal when there is a mechanical or electrical failure. The alarm has an over and under temperature setting, alarm silencing switch, and battery test switch. Also provided is a relay for remote alarm hook-up.

### **REFRIGERATION SYSTEM**

A So-Low cascade system with two hermetic compressors. CFC & HCFC free refrigerants

### **CONSTRUCTION**

Chamber is 14-ga. Zinc coated galvanized steel. Exterior is 16-ga. steel. Power coated cool gray.

### **VOLTAGE**

20 AMP dedicated circuit required.  
ETL electrical approval.

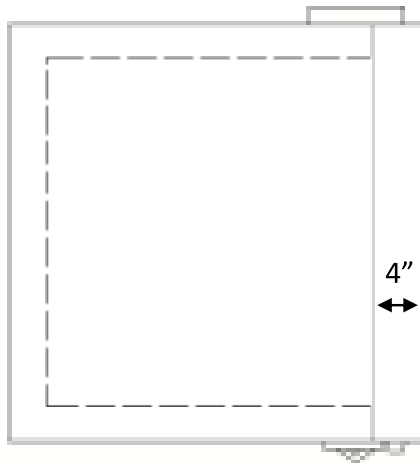
### **TECHNICAL SUPPORT**

Supplied by Nation-Wide-Network of service companies.

*Specifications subject to change without notice*

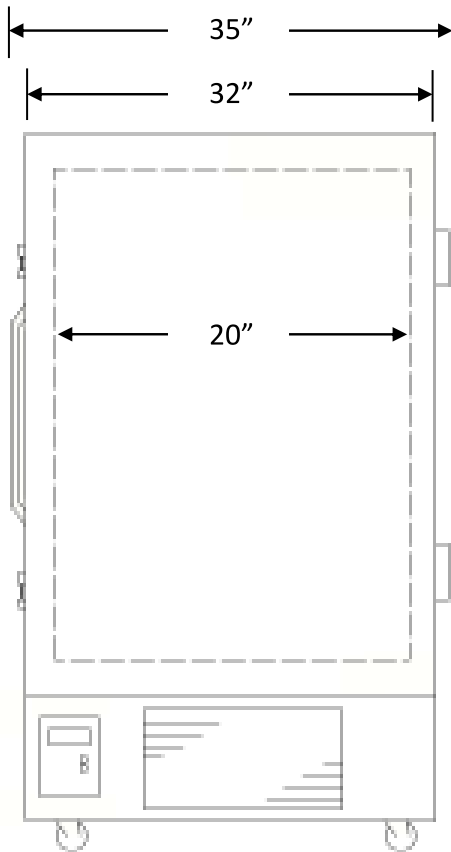


# DIAGRAM DATA SHEET

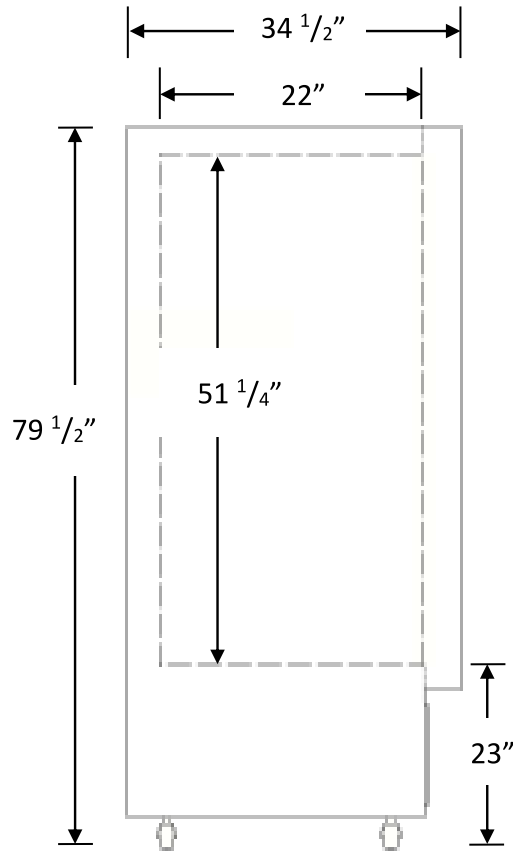


Upright Freezer Top View

FREEZER SPECIFICATIONS		
CAPACITY	13 CUBIC FEET	
STYLE	UPRIGHT	
NET WEIGHT	725 LBS.	
SHIPPING WEIGHT	850 LBS.	
INTERIOR DIMENSIONS		
INTERIOR WIDTH	20.0"	(50.8 cm)
INTERIOR DEPTH	22.0"	(55.9 cm)
INTERIOR HEIGHT	51.25"	(130 cm)
EXTERIOR DIMENSIONS		
EXTERIOR WIDTH	35.0"	(88.9 cm)
EXTERIOR DEPTH	34.5"	(87.6 cm)
EXTERIOR HEIGHT	79.5"	(201.9 cm)
EXTERIOR CRATED DIMENSIONS		
CRATED WIDTH	46.0"	(116 cm)
CRATED DEPTH	43.0"	(109 cm)
CRATED HEIGHT	86.0"	(218 cm)



Upright Freezer Front View



Upright Freezer Side View