

SO-LOW

SO-LOW UPRIGHT FREEZER TO -80°C

MODEL U80-28

28 Cubic Ft. (792 liters) Upright – Temperature Range: -40°C to -80°C

Upright Freezer

Specifications:

* Capacity	28 cubic ft. / 792 liters
* Temperature Range	-40°C to -80°C
* Dimensions	
* Exterior W x D x H	54" x 37" x 79.5" 137 x 93 x 201 (cm)
* Interior W x D x H	38" x 25" x 51.25" 96 x 63 x 130 (cm)

TEMPERATURE CONTROL

Microprocessor control displays set point and chamber temperature.

ALARM SYSTEM WITH RELAY

The battery operated alarm system will emit an audible and visual signal when there is a mechanical or electrical failure. The alarm has an over and under temperature setting, alarm silencing switch, and battery test switch. Also provided is a relay for remote alarm hook-up.

REFRIGERATION SYSTEM

A So-Low cascade system with two hermetic compressors. CFC & HCFC free refrigerants

CONSTRUCTION

Chamber is 14-ga. Zinc coated galvanized steel. Exterior is 16-ga. steel. Power coated cool gray.

VOLTAGE

20 AMP dedicated circuit required.
ETL electrical approval.

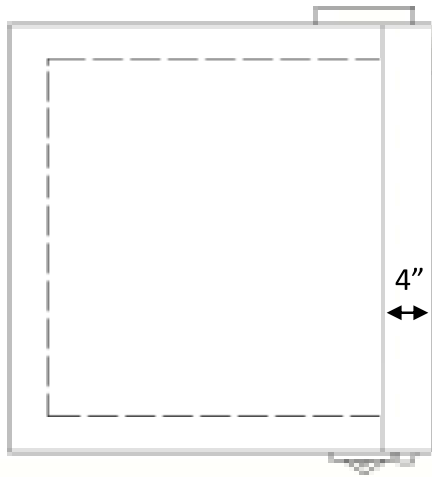
TECHNICAL SUPPORT

Supplied by Nation-Wide-Network of service companies.

Specifications subject to change without notice

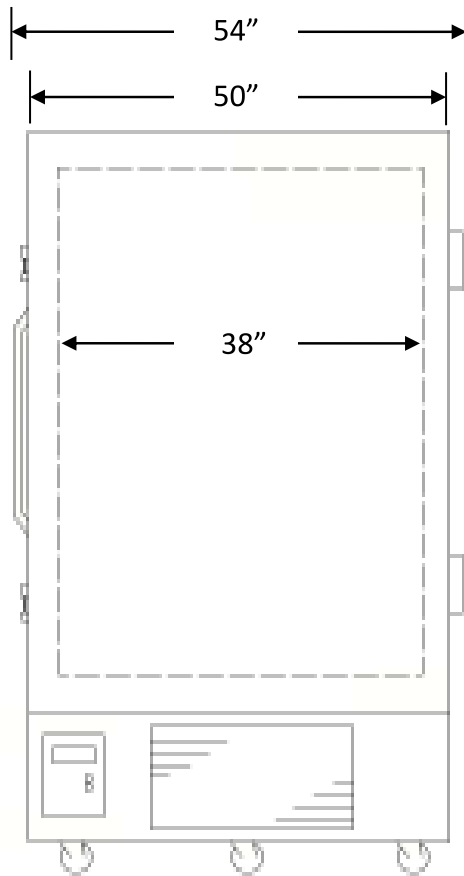


DIAGRAM DATA SHEET

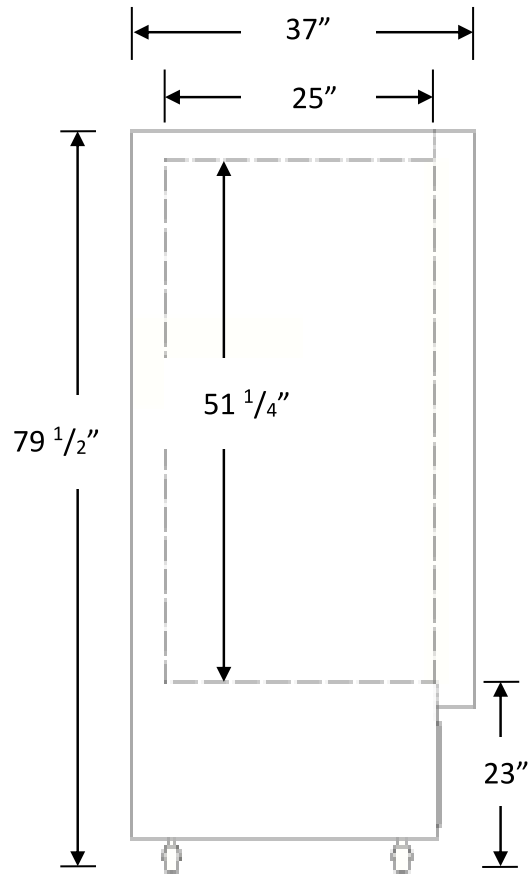


Upright Freezer Top View

FREEZER SPECIFICATIONS		
CAPACITY	28 CUBIC FEET	
STYLE	UPRIGHT	
NET WEIGHT	1000 LBS.	
SHIPPING WEIGHT	1225 LBS.	
INTERIOR DIMENSIONS		
INTERIOR WIDTH	38.0"	(96.52 cm)
INTERIOR DEPTH	25.0"	(63.5 cm)
INTERIOR HEIGHT	51.25"	(130 cm)
EXTERIOR DIMENSIONS		
EXTERIOR WIDTH	54.0"	(137.1 cm)
EXTERIOR DEPTH	37.0"	(93.9 cm)
EXTERIOR HEIGHT	79.5"	(201.9 cm)
EXTERIOR CRATED DIMENSIONS		
CRATED WIDTH	68.0"	(172 cm)
CRATED DEPTH	45.0"	(114 cm)
CRATED HEIGHT	85.0"	(218 cm)



Upright Freezer Front View



Upright Freezer Side View